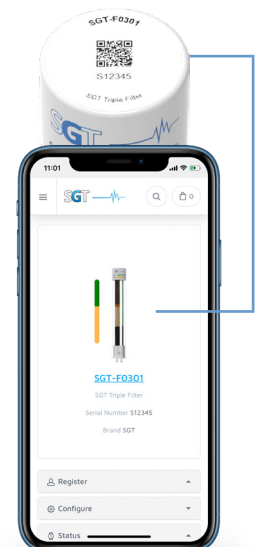


Super Clean™ Gas Filters



Patent Pending: PCT/NL2012/050477

- High Capacity
- High-purity output ensures 99.9999% Pure gas
- “Quick connect” fittings for easy, leak-tight cartridge changes
- Glass inside to prevent diffusion, plastic outside for safety
- Easy to read indicators
- QR Code Status Monitoring
 - » View current filter status
 - » Get Technical Support
 - » Set maintenance reminders
 - » Request for Quotation
 - » View Quality and Compliance certificates



ABOUT SUPER CLEAN™ GAS FILTERS

Cartridge systems make changing gas filters quick and easy. A base plate allows cartridges to be exchanged without introducing oxygen. Spring-loaded check valves seal when a filter is removed and open only when a new filter has been locked in place. There is no longer a need for loosening and tightening fittings every time a trap is changed and your system will not become contaminated during the process

WHY GAS PURITY IS IMPORTANT

Carrier gas should contain less than 1 ppm of oxygen, moisture, or other trace contaminants, to prevent column degradation, increase column lifetime, and decrease stationary phase bleed. The expense of using high-purity gases in combination with carrier gas line purifiers will be offset by longer column lifetime and less GC maintenance.

Contaminants cause ghost peaks to appear during temperature programming and degrade the validity of analytical data. Make-up gas also should be contaminant-free, or baseline fluctuations and excessive detector noise can occur; detector gases should be free of water and hydrocarbons, or excessive baseline noise can result. Gas purifiers remove these contaminants from gas sources, thereby improving system performance.

GAS FILTER SYSTEM COMPONENTS



Base plate

Connecting unit with in- and outlet connectors for the gas line and two spring-loaded check valves that automatically start the flow of gas once a filter is installed.



Universal Ring Nut

The Universal Ring Nut is used for mounting a filter cartridge or flush-cap to a base plate. It can also serve as a mounting point for the Electronic Maintenance Indicator device.



Filter Cartridge

The filter cartridges are made of glass to prevent diffusion, and protected by a plastic housing for safety.



Optional Electronic Indicator

Optional Electronic Maintenance Indicator device warns when scheduled replacement or maintenance is due.

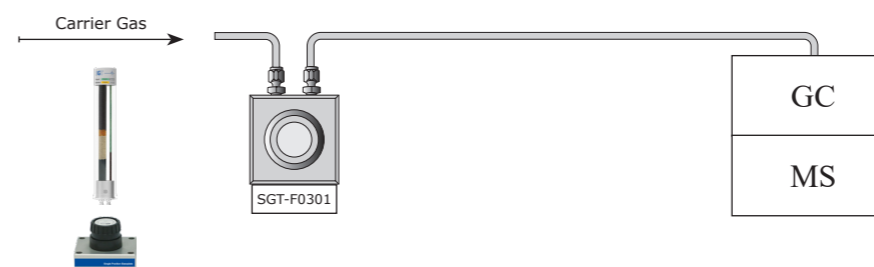


Optional Wall mount bracket set

Optional wall mounting brackets to mount a Base plate on a wall.

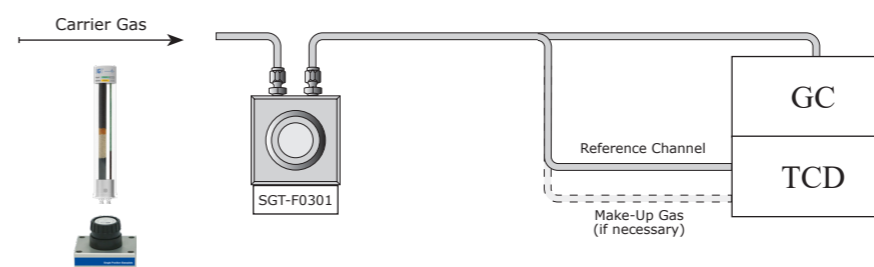


GC / MS (ITD/MSD)



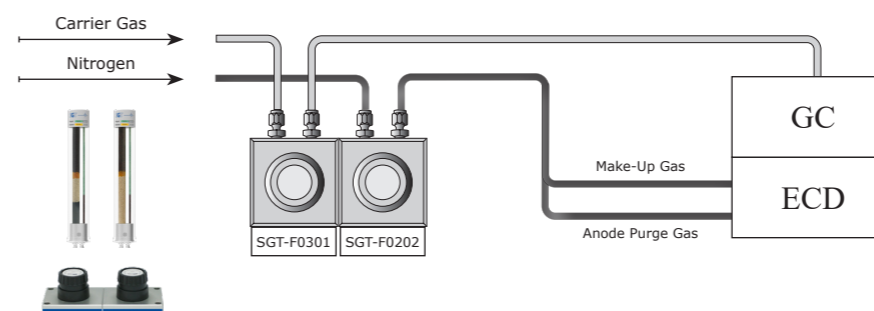
Product	Part No.	Qty
Triple Filter	SGT-F0301	1
1 Position Base plate	SGT-B0010-XX	1

GC / TCD



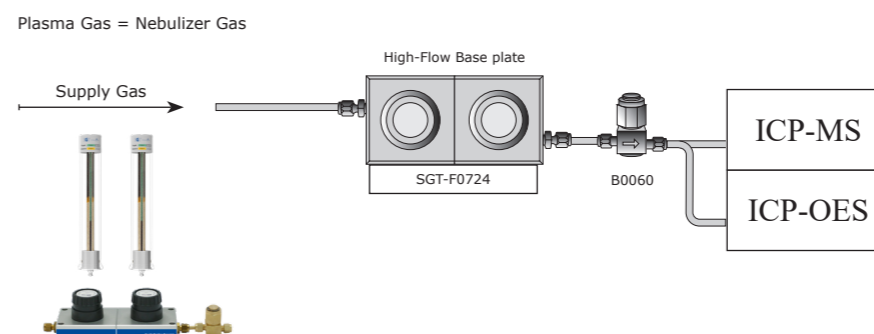
Product	Part No.	Qty
Triple Filter	SGT-F0301	1
1 Position Base plate	SGT-B0010-XX	1

GC / ECD



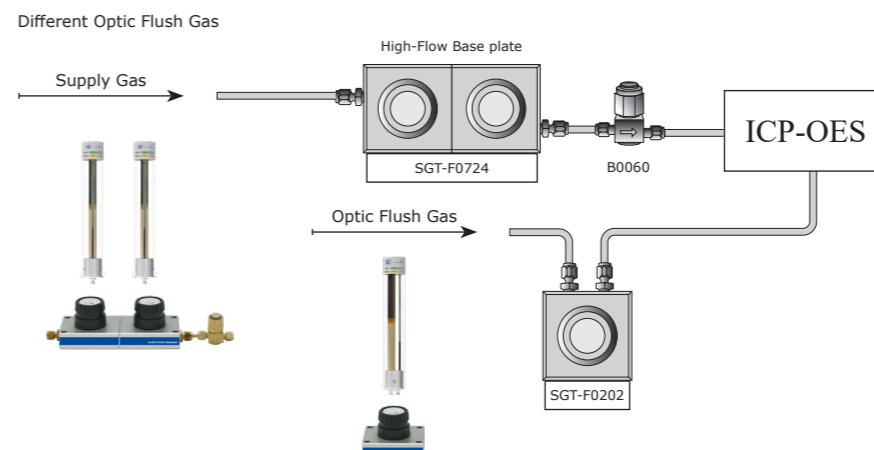
Product	Part No.	Qty
Triple Filter	SGT-F0301	1
Oxygen/Moisture Filter	SGT-F0202	1
2 Position Base plate	SGT-B0020-XX	1

ICP-OES / ICP-MS



Product	Part No.	Qty
High Flow Oxygen/Moisture Filter Bundle	SGT-F0724	1
Particle Filter	B0060	1
High Flow Base plate	SGT-B0021-XX	1

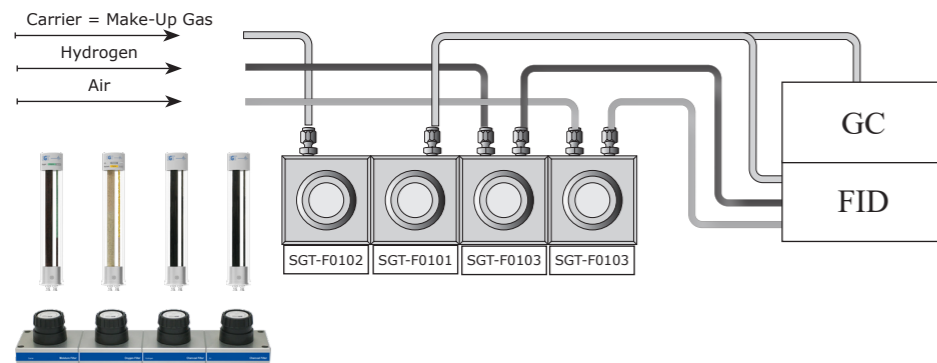
ICP-OES



Product	Part No.	Qty
High Flow Oxygen/Moisture Filter Bundle	SGT-F0724	1
Oxygen/Moisture Filter	SGT-F0202	1
Particle Filter	B0060	1
High Flow Base plate	SGT-B0021-XX	1
1 Position Base plate	SGT-B0010-XX	1

GC / FID

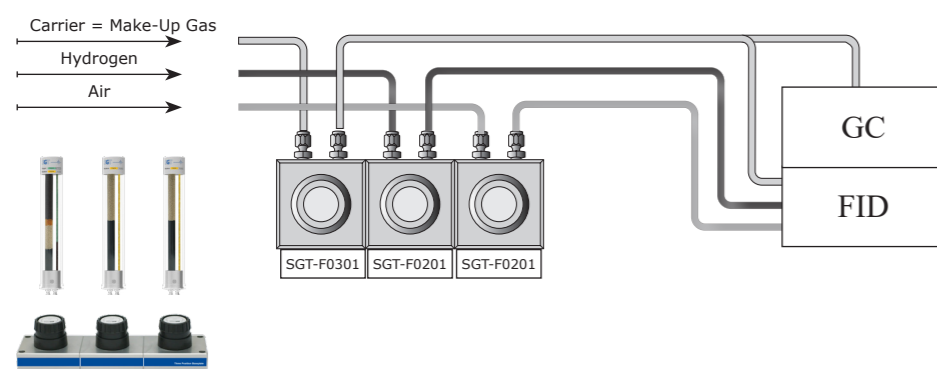
GC/FID Solution 1 (Carrier Gas = Make-Up Gas)



Product	Part No.	Qty
Oxygen Filter	SGT-F0102	1
Moisture Filter	SGT-F0101	1
Hydrocarbon Filter	SGT-F0103	2
4 Position Base plate	SGT-B0040-XX	1

GC / FID

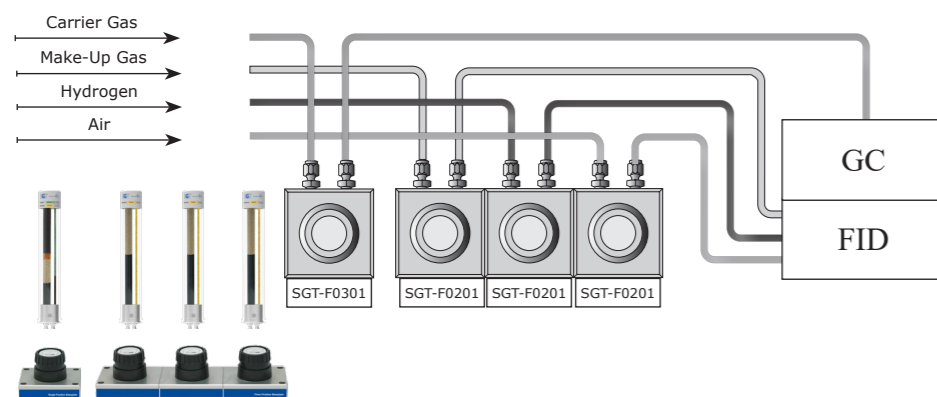
GC/FID Solution 2 (Carrier Gas = Make-Up Gas)



Product	Part No.	Qty
Triple Filter	SGT-F0301	1
Hydrocarbon/Moisture Filter	SGT-F0201	2
3 Position Base plate	SGT-B0030-XX	1

GC / FID

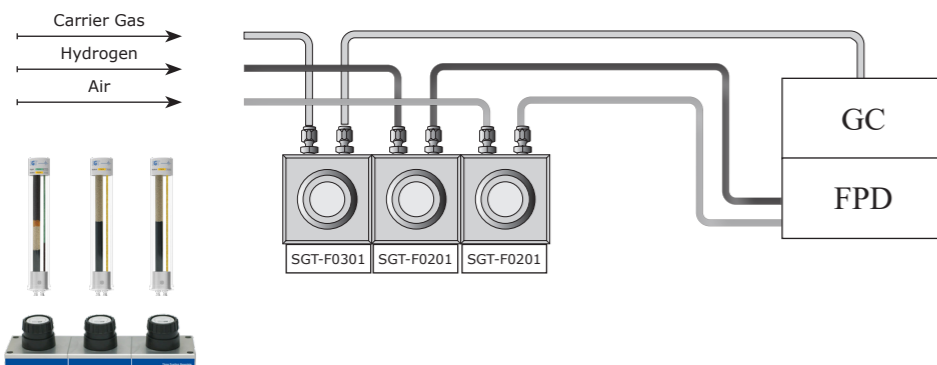
GC/FID Solution 3 (Carrier Gas differs from Make-Up Gas)



Product	Part No.	Qty
Triple Filter	SGT-F0301	1
1 Position Base plate	SGT-B0010-XX	1

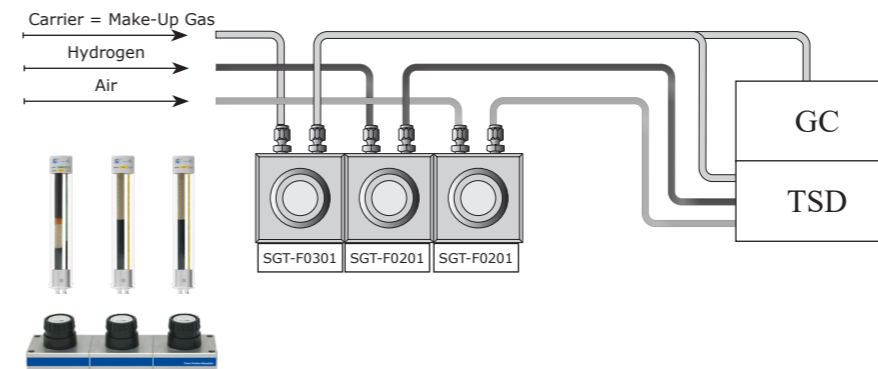
Product	Part No.	Qty
Hydrocarbon/Moisture Filter	SGT-F0201	3
3 Position Base plate	SGT-B0030-XX	1

GC (FPD/PFPD)



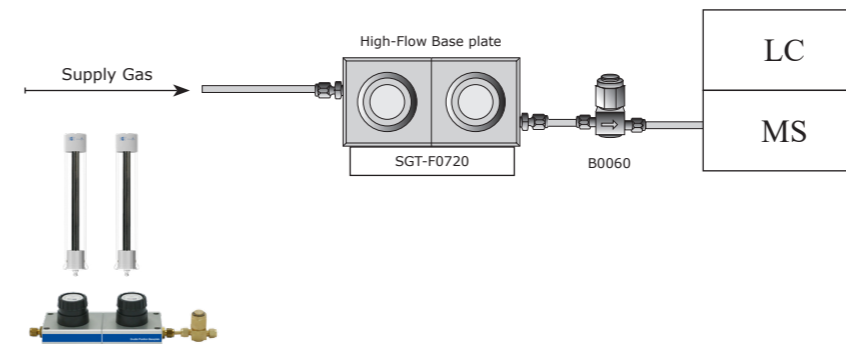
Product	Part No.	Qty
Triple Filter	SGT-F0301	1
Hydrocarbon/Moisture Filter	SGT-F0201	2
3 Position Base plate	SGT-B0030-XX	1

GC (TSD/TID/NPD/PND)



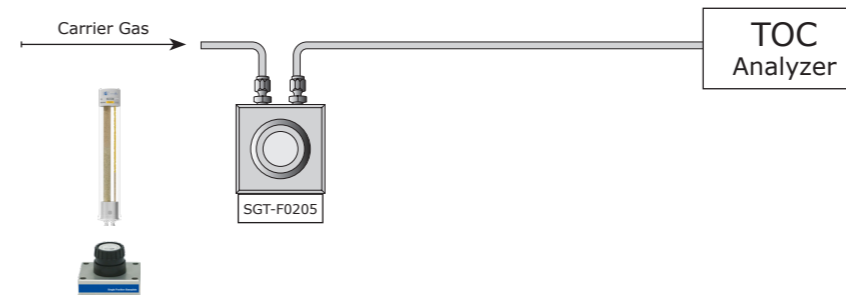
Product	Part No.	Qty
Triple Filter	SGT-F0301	1
Hydrocarbon/Moisture Filter	SGT-F0201	2
3 Position Base plate	SGT-B0030-XX	1

LC/MS



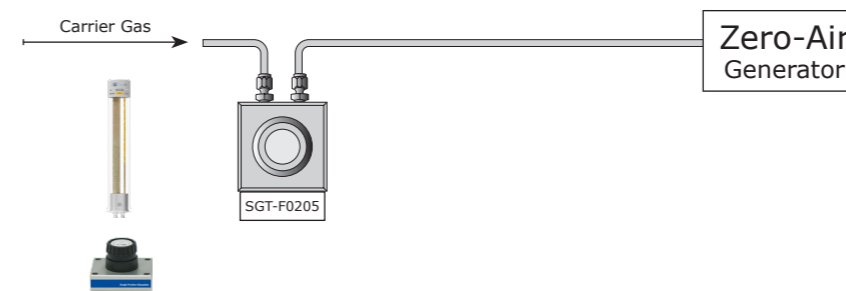
Product	Part No.	Qty
High Flow Hydrocarbon Filter Bundle	SGT-F0720	1
Particle Filter	B0060	1
High Flow Base plate	SGT-B0021-XX	1

TOC Analyzer



Product	Part No.	Qty
CO ₂ / Moisture Filter	SGT-F0205	1
1 Position Base plate	SGT-B0010-XX	1

Zero-Air Generator



Product	Part No.	Qty
CO ₂ / Moisture Filter	SGT-F0205	1
1 Position Base plate	SGT-B0010-XX	1

Catalog No. * SGT-B1010-B8
SGT-B1011-B8 (Helium)
SGT-B1012-B8 (Hydrogen)

Usable for	Benefit
GC/MS	Higher data accuracy and less maintenance
GC/ECD	Greater sensitivity
GC/TCD	Greater sensitivity and less maintenance



TRIPLE FILTER KIT

The triple combination filter kit is ideal for purifying GC/MS carrier gases. It contains oxygen, moisture and hydrocarbon scrubbers in one easy to change economical cartridge.

Catalog No. * SGT-B1015-B8

Usable for	Benefit
GC/TCD	Greater sensitivity and less maintenance



COMBI (OXYGEN/MOISTURE) KIT

The oxygen/moisture combination filter kit is ideal for purifying GC/ECD carrier gases. It contains oxygen and moisture scrubbers in one easy to change economical cartridge.

Catalog No. * SGT-B1014-B8

Usable for	Benefit
TOC Analyzer	Greater sensitivity
Zero-Air generator	Cleaner gas

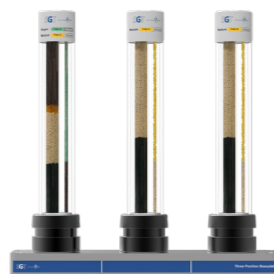


COMBI (CO2/MOISTURE) FILTER KIT

The carbon dioxide/moisture combination filter kit is ideal for TOC analysers and Zero-Air generators. It removes both carbon dioxide and moisture from gas streams.

Catalog No. * SGT-B1030-B8

Usable for	Benefit
GC/FID	Greater sensitivity



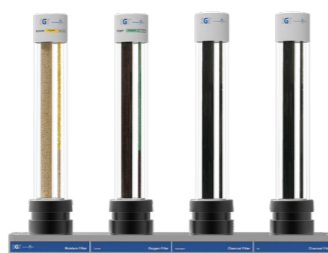
3 POSITION KIT

The FID Filter kit is the perfect all-in-one solution for purifying flame ionization detector (FID) fuel gases together with the carrier gas.

This kit removes hydrocarbons, moisture and oxygen from the carrier gas and removes both moisture and hydrocarbons from the Hydrogen and Air fuel gases.

Catalog No. * SGT-B1040-B8

Usable for	Benefit
GC/FID	Greater sensitivity



4 POSITION KIT

The high capacity FID Filter kit is the perfect all-in-one solution for purifying flame ionization detector (FID) fuel gases together with the carrier gas.

This kit removes both moisture and oxygen from the carrier gas and removes hydrocarbons from the Hydrogen and Air fuel gases.

* Standard fittings are 1/8" Brass. All Kits are available in 1/4" to 1/8" Brass and Stainless steel fittings. To order, replace Part No. suffix into '-B4' for 1/4" Brass, '-S8' for 1/8" Stainless steel and '-S4' for 1/4" Stainless steel fittings.

Catalog No. * SGT-B1020-B8

Usable for	Benefit
FID	Greater sensitivity



COMBI (MOISTURE/HYDRO-CARBON) FILTERS KIT

The Fuel Gas Filter kit is perfect for purifying flame ionization detector (FID) fuel gases, removing both moisture and hydrocarbons.

Using the Fuel Gas Filter for FID Hydrogen and air will produce a stable baseline, improving overall reproducibility and sensitivity.

Catalog No. ** SGT-B1021-B4

Usable for	Benefit
LC/MS	Greater sensitivity

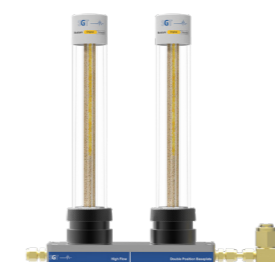


HIGH FLOW HYDROCARBON KIT

Up to 20 Liter of hydrocarbon-free nitrogen per minute with this LC/MS High Flow Kit.

Catalog No. ** SGT-B1022-B4

Usable for	Benefit
LC/MS	Greater sensitivity

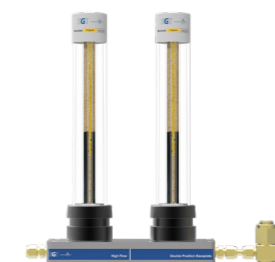


HIGH FLOW MOISTURE KIT

Up to 20 Liter of moisture-free nitrogen per minute with this LC/MS High Flow Kit.

Catalog No. ** SGT-B1023-B4

Usable for	Benefit
LC/MS	Greater sensitivity



HIGH FLOW COMBI (HYDROCARBON/MOISTURE) KIT

Removes Moisture and Hydrocarbons from high flow gas streams.

Catalog No. ** SGT-B1024-B4

Usable for	Benefit
ICP-MS	Greater sensitivity
ICP-OES	Greater sensitivity



HIGH FLOW COMBI (OXYGEN/MOISTURE) KIT

Removes Oxygen and Moisture from high flow gas streams.

* Standard fittings are 1/8" Brass. All Kits are available in 1/4" to 1/8" Brass and Stainless steel fittings. To order, replace Part No. suffix into '-B4' for 1/4" Brass, '-S8' for 1/8" Stainless steel and '-S4' for 1/4" Stainless steel fittings.

** Standard fittings are 1/4" Brass. All Kits are available in 1/4" Brass and Stainless steel fittings. To order, replace Part No. suffix into '-S4' for 1/4" Stainless steel fittings.

Catalog No.	SGT-F0101
Specifications	
Outlet Gas Quality (%)	> 99.9999
Maximum Pressure	15 bar (217 psi)
Maximum Flow	7 L/min.
Usable For	Inert carrier gas, He, H2, N2, AR, Air
Dimensions	24 cm x Ø 4.4 cm
Weight	0.26 Kg
Estimated Lifetime	> 2 years



MOISTURE FILTER

Moisture in carrier gas lines will prematurely degrade oxygen and hydrocarbon traps and increase detector noise. As a precaution, we highly recommend installing a moisture trap before the hydrocarbon and oxygen traps on all carrier gas lines.

Capacity	
H₂O	7.2 g

Catalog No.	SGT-F0102
Specifications	
Outlet Gas Quality (%)	> 99.9999
Maximum Pressure	15 bar (217 psi)
Maximum Flow	7 L/min.
Usable For	Inert carrier gas, He, H2, N2, AR
Dimensions	24 cm x Ø 4.4 cm
Weight	0.26 Kg
Estimated Lifetime	> 2 years



OXYGEN FILTER

Oxygen is a column killer. It is present even in UHP gases, as minutes leaks at fittings allow oxygen to influx against the concentration gradient. Because oxygen can enter a gas line at any fitting or during gas bottle exchange, the oxygen trap should be the last connection before the gas line enters the chromatograph.

Capacity	
O₂	150 mL

Catalog No.	SGT-F0103
Specifications	
Outlet Gas Quality (%)	> 99.9999
Maximum Pressure	15 bar (217 psi)
Maximum Flow	7 L/min.
Usable For	Inert carrier gas, He, H2, N2, AR, Air
Dimensions	24 cm x Ø 4.4 cm
Weight	0.26 Kg
Estimated Lifetime	> 2 years



HYDROCARBON FILTER

Use a hydrocarbon trap if your gas has a potential source of hydrocarbon contaminants or if you suspect you are observing carrier gas ghost peaks. Install the hydrocarbon trap after the moisture trap, to prevent moisture from degrading the hydrocarbon-trapping ability of the activated carbon in the hydrocarbon trap.

Capacity	
HC	12 g (as <i>n</i> -butane)

Catalog No.	SGT-F0201
Specifications	
Outlet Gas Quality (%)	> 99.9999
Maximum Pressure	15 bar (217 psi)
Maximum Flow	7 L/min.
Usable For	Inert carrier gas, He, H2, N2, AR, Air
Dimensions	24 cm x Ø 4.4 cm
Weight	0.26 Kg
Estimated Lifetime	> 2 years



COMBI (HYDROCARBON/MOISTURE) FILTER

The Fuel Gas Filter is perfect for purifying flame ionization detector (FID) fuel gases, removing both moisture and hydrocarbons. Using the Fuel Gas Filter for FID Hydrogen and air will produce a stable baseline, improving overall reproducibility and sensitivity.

Capacity	
H₂O	3.5 g
HC	6 g (as <i>n</i> -butane)

Catalog No.	SGT-F0202
Specifications	
Outlet Gas Quality (%)	> 99.9999
Maximum Pressure	15 bar (217 psi)
Maximum Flow	7 L/min.
Usable For	Inert carrier gas, He, H2, N2, AR
Dimensions	24 cm x Ø 4.4 cm
Weight	0.26 Kg
Estimated Lifetime	> 2 years



COMBI (OXYGEN/MOISTURE) FILTER

This Combi trap is ideal for purifying carrier gas. It contains oxygen and moisture scrubbers in one easy to change economical cartridge.

Capacity	
H₂O	3.5 g
O₂	75 mL

Catalog No.	SGT-F0205
Specifications	
Outlet Gas Quality (%)	> 99.9999
Maximum Pressure	15 bar (217 psi)
Maximum Flow	7 L/min.
Usable For	Inert carrier gas, He, H2, N2, AR, Air
Dimensions	24 cm x Ø 4.4 cm
Weight	0.26 Kg
Estimated Lifetime	> 2 years



COMBI (CARBON DIOXIDE/MOISTURE) FILTER

Removes carbon dioxide, sulfur and moisture from gas streams.

Capacity	
H₂O	3.5 g
CO₂	6 g

Catalog No.	SGT-F0301 SGT-F0302 (Helium Specific) SGT-F0304 (Hydrogen Specific)
Specifications	
Outlet Gas Quality (%)	> 99.9999
Maximum Pressure	15 bar (217 psi)
Maximum Flow	7 L/min.
Usable For	Inert carrier gas, He, H2, N2, AR
Dimensions	24 cm x Ø 4.4 cm
Weight	0.26 Kg
Estimated Lifetime	> 2 years

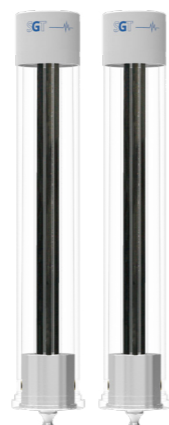


TRIPLE (OXYGEN/MOISTURE/HYDROCARBON) FILTER

The Triple trap is ideal for purifying carrier gas. It contains oxygen, moisture and hydrocarbon scrubbers in one easy to change economical cartridge.

Capacity	
H₂O	1.8 g
O₂	75 mL
HC	4 g (as <i>n</i> -butane)

Catalog No.	SGT-F0720
Specifications	
Outlet Gas Quality (%)	> 99.9999
Maximum Pressure	15 bar (217 psi)
Maximum Flow	20 L/min.
Usable For	Nitrogen
Dimensions	24 cm x Ø 4.4 cm
Weight	0.5 Kg
Estimated Lifetime	3 to 6 months



HIGH FLOW HYDROCARBON FILTER BUNDLE

Up to 20 Liter of hydrocarbon-free nitrogen per minute. To be used in combination with a high flow base plate.

Capacity	
HC	24 g (as <i>n</i> -butane)

Catalog No.	SGT-F0721
Specifications	
Outlet Gas Quality (%)	> 99.9999
Maximum Pressure	15 bar (217 psi)
Maximum Flow	20 L/min.
Usable For	Inert carrier gas, He, H ₂ , N ₂ , AR, Air
Dimensions	24 cm x Ø 4.4 cm
Weight	0.5 Kg
Estimated Lifetime	3 to 6 months



HIGH FLOW MOISTURE FILTER BUNDLE

Removes moisture from high flow gas streams. To be used in combination with a high flow base plate.

Capacity	
H₂O	14.4 g

Catalog No.	SGT-F0723
Specifications	
Outlet Gas Quality (%)	> 99.9999
Maximum Pressure	15 bar (217 psi)
Maximum Flow	20 L/min.
Usable For	Inert carrier gas, He, H ₂ , N ₂ , AR, Air
Dimensions	24 cm x Ø 4.4 cm
Weight	0.5 Kg
Estimated Lifetime	3 to 6 months



HIGH FLOW COMBI (HYDRO-CARBON/MOISTURE) FILTER BUNDLE

Removes Moisture and Hydrocarbons from high flow gas streams. To be used in combination with a high flow base plate.

Capacity	
HC	12 g (as <i>n</i> -butane)
H₂O	7.2 g

Catalog No.	SGT-F0724
Specifications	
Outlet Gas Quality (%)	> 99.9999
Maximum Pressure	15 bar (217 psi)
Maximum Flow	20 L/min.
Usable For	Inert carrier gas, He, H ₂ , N ₂ , AR
Dimensions	24 cm x Ø 4.4 cm
Weight	0.5 Kg
Estimated Lifetime	3 to 6 months



HIGH FLOW COMBI (OXYGEN/MOISTURE) FILTER BUNDLE

Removes Oxygen and Moisture from high flow gas streams. To be used in combination with a high flow base plate.

Capacity	
H₂O	7.2 g
O₂	150 mL

Catalog No.	Fitting Type
SGT-B0010-B8	1/8" Brass
SGT-B0010-B4	1/4" Brass
SGT-B0010-S8	1/8" SS
SGT-B0010-S4	1/4" SS

Catalog No.	Fitting Type
SGT-B0020-B8	1/8" Brass
SGT-B0020-B4	1/4" Brass
SGT-B0020-S8	1/8" SS
SGT-B0020-S4	1/4" SS

Catalog No.	Fitting Type
SGT-B0030-B8	1/8" Brass
SGT-B0030-B4	1/4" Brass
SGT-B0030-S8	1/8" SS
SGT-B0030-S4	1/4" SS

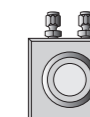
Catalog No.	Fitting Type
SGT-B0040-B8	1/8" Brass
SGT-B0040-B4	1/4" Brass
SGT-B0040-S8	1/8" SS
SGT-B0040-S4	1/4" SS

Catalog No.	Fitting Type
SGT-B0021-B4	1/4" Brass
SGT-B0021-S4	1/4" SS



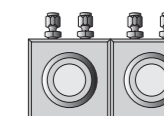
1 POSITION BASE PLATE

Single position base plate



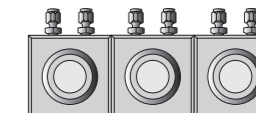
2 POSITION BASE PLATE

Double position base plate



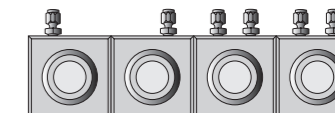
3 POSITION BASE PLATE

Three position base plate



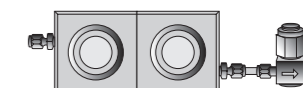
4 POSITION BASE PLATE

Four position base plate



HIGH FLOW BASE PLATE

High Flow double position base plate (in parallel)



Catalog No.	Clip Type
SGT-E0040	Filter Cartridge Clip
SGT-E0010	Universal Ring Nut Clip
Usable for	
All base plates with Universal Ring Nut	



ELECTRONIC INDICATOR

Electronic Maintenance Indicator device warns when scheduled filter replacement or base plate maintenance is due.

Catalog No.	B0140
Usable for	
All base plates	



UNIVERSAL RING NUT

Universal Ring Nut to mount a filter or flush-cap on a base plate.

Catalog No.	B0110
Usable for	
All base plates	



O-RING REPLACEMENT SET

A set of 10 + 10 replacement O-rings for replacing the O-rings on the in- and outlet valves on a base plate.

Catalog No.	B0050
Usable for	
All base plates	



WALL-MOUNT BRACKET SET

Wall mounting brackets to mount a Base plate on a wall.

Catalog No.	B0130
Usable for	
All base plates	



UNIVERSAL FLUSH-CAP SET

Flush-cap that mounts on a base plate, and allows the gas to pass through the base plate without a filter attached.

Catalog No.	Connection Type
B0120	1/4" Brass
B0121	1/8" Brass
B0122	1/4" SS
B0123	1/8" SS
Usable for	
1, 2, 3 and 4 position base plates	



STANDARD BASE PLATE CONNECTOR SET

Replacement connectors for standard base plates.

Catalog No.	Connection Type
B0124	1/4" Brass
B0125	1/4" SS
Usable for	
High flow base plates	



HIGH FLOW BASE PLATE CONNECTOR SET

Replacement connector for high flow base plates.

Catalog No.	Description
B0060	0.5 Micron Particle Filter (1/4" Brass)
B0065	0.5 Micron Particle Filter Cup Replacement Pack



PARTICULATE FILTER

Particulate filter for high flow base plates.

Installation Kits

Part No. *	Description	qty.
SGT-B1010-B8	SGT 1 Triple Filter Kit - 1/8" Brass Includes (1) 1 position base plate with 1/8" Brass inlet/outlet fittings and (1) Oxygen/Moisture/Hydrocarbon Trap	ea.
SGT-B1011-B8	SGT 1 Triple Helium Specific Filter Kit - 1/8" Brass Includes (1) 1 position base plate with 1/8" Brass inlet/outlet fittings and (1) Oxygen/Moisture/Hydrocarbon Helium Specific Trap	ea.
SGT-B1012-B8	SGT 1 Triple Hydrogen Specific Filter Kit - 1/8" Brass Includes (1) 1 position base plate with 1/8" Brass inlet/outlet fittings and (1) Oxygen/Moisture/Hydrocarbon Hydrogen Specific Trap	ea.
SGT-B1014-B8	SGT Combi (Co2/Moisture) Filter Kit - 1/8" Brass Includes (1) 1 position base plate with 1/8" Brass inlet/outlet fittings and (1) Carbon dioxide/Moisture Trap	ea.
SGT-B1015-B8	SGT Combi (Oxygen/Moisture) Kit - 1/8" Brass Includes (1) 1 position base plate with 1/8" Brass inlet/outlet fittings and (1) Oxygen/Moisture Trap	ea.
SGT-B1020-B8	SGT 2 Combi Filters Kit - 1/8" Brass Includes (1) 2 position base plate with 1/8" Brass inlet/outlet fittings and (2) Hydrocarbon/Moisture Traps	ea.
SGT-B1030-B8	SGT 3 Filters Kit - 1/8" Brass Includes (1) 3 position base plate with 1/8" Brass inlet/outlet fittings and (1) Oxygen/Moisture/Hydrocarbon Trap and (2) Hydrocarbon/Moisture Traps	ea.
SGT-B1040-B8	SGT 4 Filters Kit - 1/8" Brass Includes (1) 4 position base plate with 1/8" Brass inlet/outlet fittings and (1) Moisture Trap, (1) Oxygen Trap, and (2) Hydrocarbon Traps	ea.

High Flow Installation Kits

Part No. **	Description	qty.
SGT-B1021-B4	SGT High Flow Hydrocarbon Filter Kit - 1/4" Brass Includes (1) 2 position high flow base plate with 1/4" Brass inlet/outlet fittings, (2) High Flow Hydrocarbon Traps, and a 1/4" Brass Particle Filter	ea.
SGT-B1022-B4	SGT High Flow Moisture Filter Kit - 1/4" Brass Includes (1) 2 position high flow base plate with 1/4" Brass inlet/outlet fittings, (2) High Flow Moisture Traps, and a 1/4" Brass Particle Filter	ea.
SGT-B1023-B4	SGT High Flow Combi (Hydrocarbon/Moisture) Filter Kit - 1/4" Brass Includes (1) 2 position high flow base plate with 1/4" Brass inlet/outlet fittings, (2) High Flow Combi (Hydrocarbon/Moisture) Traps, and a 1/4" Brass Particle Filter	ea.
SGT-B1024-B4	SGT High Flow Combi (Oxygen/Moisture) Filter Kit - 1/4" Brass Includes (1) 2 position high flow base plate with 1/4" Brass inlet/outlet fittings, (2) High Flow Combi (Oxygen/Moisture) Traps, and a 1/4" Brass Particle Filter	ea.

* Standard fittings are 1/8" Brass. All Kits are available in 1/4" to 1/8" Brass and Stainless steel fittings. To order, replace Part No. suffix into '-B4' for 1/4" Brass, '-S8' for 1/8" Stainless steel and '-S4' for 1/4" Stainless steel fittings.

** Standard fittings are 1/4" Brass. All Kits are available in 1/4" Brass and Stainless steel fittings. To order, replace Part No. suffix into '-S4' for 1/4" Stainless steel fittings.

Replacement Filters

Part No.	Description	qty.
SGT-F0101	SGT Moisture Filter	ea.
SGT-F0102	SGT Oxygen Filter	ea.
SGT-F0103	SGT Hydrocarbon Filter	ea.
SGT-F0201	SGT Combi (Hydrocarbon/Moisture) Filter	ea.
SGT-F0202	SGT Combi (Oxygen/Moisture) Filter	ea.
SGT-F0205	SGT Combi (Carbon dioxide/Moisture Filter)	ea.
SGT-F0301	SGT Triple (Oxygen/Moisture/Hydrocarbon) Filter	ea.
SGT-F0302	SGT Triple (Oxygen/Moisture/Hydrocarbon) Helium-specific Filter	ea.
SGT-F0304	SGT Triple (Oxygen/Moisture/Hydrocarbon) Hydrogen-specific Filter	ea.

Replacement Filter Bundles

Part No.	Description	qty.
SGT-F0730	SGT Filter Bundle of 3 Includes (1) Oxygen/Moisture/Hydrocarbon Trap and (2) Hydrocarbon/Moisture Traps	ea.
SGT-F0740	SGT Filter Bundle of 4 Includes (1) Moisture Trap, (1) Oxygen Trap, and (2) Hydrocarbon Traps	ea.

High Flow Replacement Filter Bundles

Part No.	Description	qty.
SGT-F0720	SGT High Flow Hydrocarbon Filter Bundle Includes (2) High Flow Hydrocarbon Filters	ea.
SGT-F0721	SGT High Flow Moisture Filter Bundle Includes (2) High Flow Moisture Filters	ea.
SGT-F0723	SGT High Flow Combi (Hydrocarbon/Moisture) Filter Bundle Includes (2) High Flow Combi (Hydrocarbon/Moisture) Filters	ea.
SGT-F0724	SGT High Flow Combi (Oxygen/Moisture) Filter Bundle Includes (2) High Flow Combi (Oxygen/Moisture) Filters	ea.

Base plates

Part No. *	Description	qty.
SGT-B0010-B8	SGT Base plate 1 Position - 1/8" Brass	ea.
SGT-B0020-B8	SGT Base plate 2 Position - 1/8" Brass	ea.
SGT-B0030-B8	SGT Base plate 3 Position - 1/8" Brass	ea.
SGT-B0040-B8	SGT Base plate 4 Position - 1/8" Brass	ea.

High Flow Base plates

Part No. **	Description	qty.
SGT-B0021-B4	SGT High Flow Base plate 2 Position - 1/4" Brass Includes 1/4" Brass Particle Filter	ea.

* Standard fittings are 1/8" Brass. All base plate are available in 1/4" to 1/8" Brass and Stainless steel fittings.
To order, replace Part No. suffix into '-B4' for 1/4" Brass, '-S8' for 1/8" Stainless steel and '-S4' for 1/4" Stainless steel fittings.

** Standard fittings are 1/4" Brass. All high flow base plates are available in 1/4" Brass and Stainless steel fittings.
To order, replace Part No. suffix into '-S4' for 1/4" Stainless steel fittings.

Electronic Maintenance Indicator

Part No.	Description	qty.
SGT-E0010	Electronic Maintenance Indicator Kit for Universal Ring Nut For use with Universal Ring Nut. Includes Electronic Indicator Device, Battery, USB Cable and Mounting clip.	ea.
SGT-E0040	Electronic Maintenance Indicator Kit for Super Clean Gas Filters For use with Super Clean Gas Filters. Includes Electronic Indicator Device, Battery, USB Cable and Mounting clip.	ea.
B0140	Universal Ring Nut	ea.

Replacement O-Rings for all Cartridge base plates

Part No.	Description	qty.
B0110	Base plate O-ring Replacement Set	20/pk.

Wall mounting Bracket for all Cartridge base plates

Part No.	Description	qty.
B0050	Wall-mounting Bracket Set	ea.

Base plate Flush Cap Replacement Set

Part No.	Description	qty.
B0130	Universal Flush Cap Replacement Set Compatible with normal and high flow base plates	2-pk.

Base plate fittings

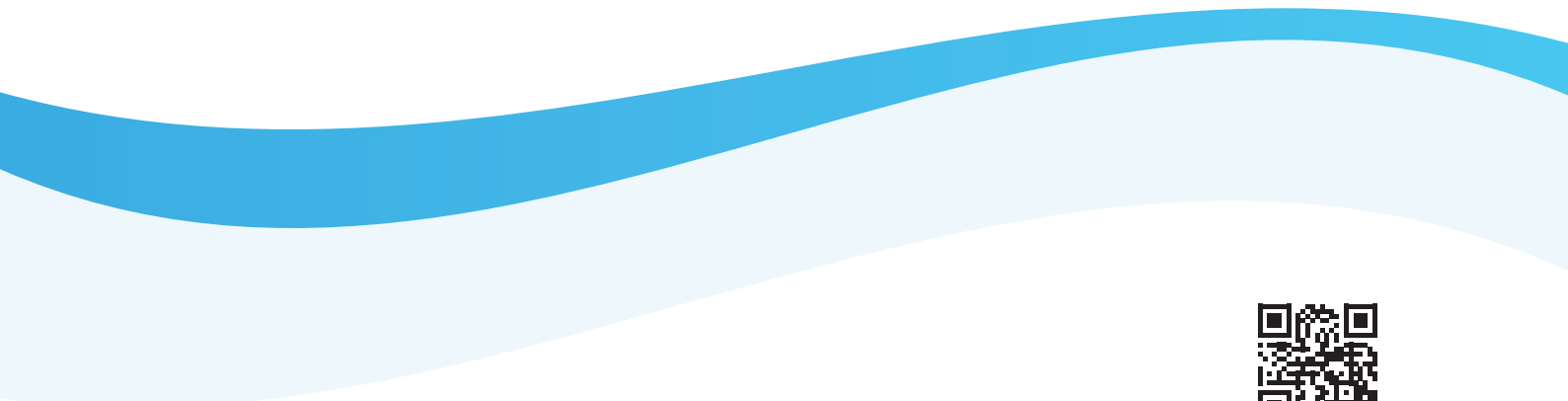
Part No.	Description	qty.
B0120	Connector Set - 1/4" Brass	6/pk
B0121	Connector Set - 1/8" Brass	6/pk
B0122	Connector Set - 1/4" Stainless steel	6/pk.
B0123	Connector Set - 1/8" Stainless steel	6/pk.

High Flow Base plate fittings

Part No.	Description	qty.
B0124	High Flow Connector Set - 1/4" Brass	6/pk.
B0125	High Flow Connector Set - 1/4" Stainless steel	6/pk.

Particle Filter for High flow Base plates

Part No.	Description	qty.
B0060	0.5 Micron Particle Filter (1/4" Brass)	ea.
B0065	0.5 Micron Particle Filter Cup Replacement Pack	12/pk.



Management System
ISO 9001:2015

www.tuv.com
ID 3108636629

